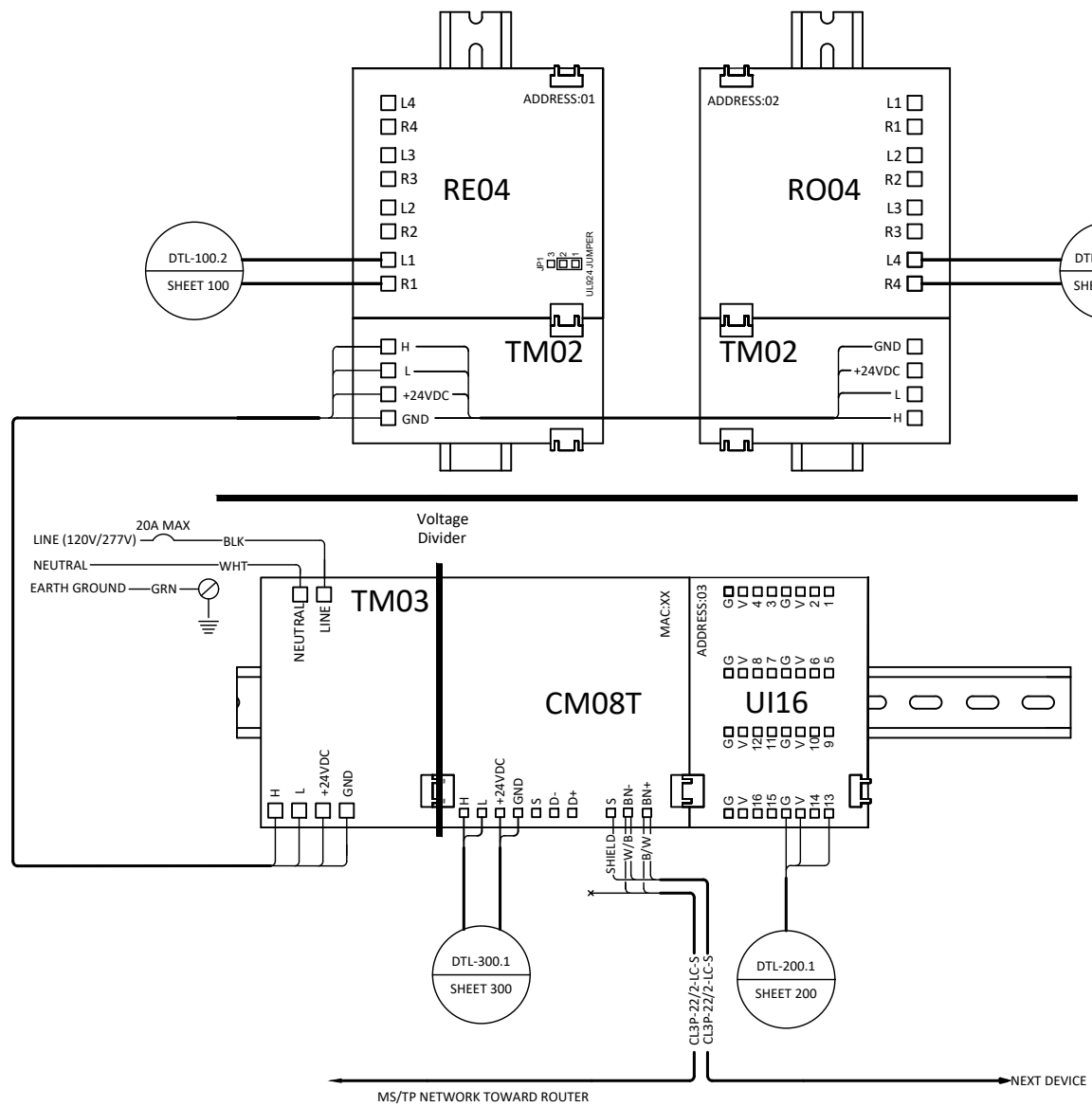


MODULE:	RE04		ADDRESS:	01
ZONE	CHANNEL	OUTPUT	DESCRIPTION	PANEL/CIRCUIT
1	a	RE-01-01	EMERGENCY	
		RE-01-02		
		RE-01-03		
		RE-01-04		
MODULE:	RO04		ADDRESS:	02
ZONE	CHANNEL	OUTPUT	DESCRIPTION	PANEL/CIRCUIT
1	a	RO-02-01	NORMAL	
		RO-02-02		
		RO-02-03		
		RO-02-04		
MODULE:	UI16		ADDRESS:	03
ZONE	CHANNEL	INPUT	DESCRIPTION	PART NUMBER
1	a	UI-03-01		
		UI-03-02		
		UI-03-03		
		UI-03-04		
		UI-03-05		
		UI-03-06		
		UI-03-07		
		UI-03-08		
		UI-03-09		
		UI-03-10		
		UI-03-11		
		UI-03-12		
		UI-03-13	Occupancy Sensor	BOS-515NSA
		UI-03-14		
		UI-03-15		
		UI-03-16		



ENGINEERING STANDARDS
TZW - R10431C0-00110-00001

Typical Zone Wiring

REV: 1.02	TYPE: Wiring Typical	DATE: 06/28/2023	JOB #:
 UNIFIED LIGHTING CONTROL			ENGINEERED BY: WCD
			DRAWN BY: EFM
			CHECKED BY: ML
			PAGE: 1 of 1