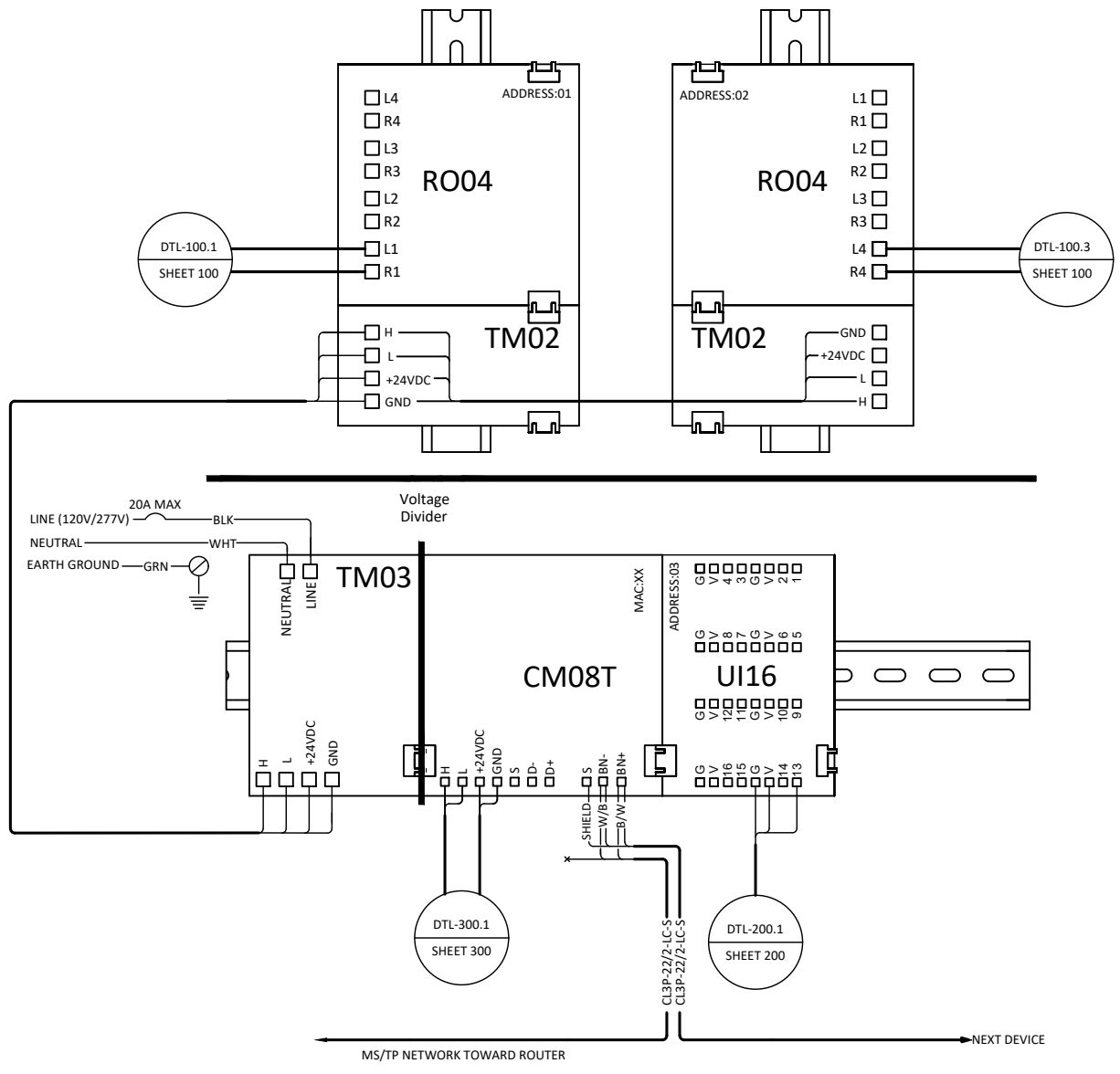


MODULE:	RO04		ADDRESS:	01
ZONE	CHANNEL	OUTPUT	DESCRIPTION	PANEL/CIRCUIT
1	a	RO-01-01	NORMAL	
2	a	RO-01-02		
3	a	RO-01-03		
4	a	RO-01-04		
MODULE:	RO04		ADDRESS:	02
ZONE	CHANNEL	OUTPUT	DESCRIPTION	PANEL/CIRCUIT
5	a	RO-02-01	PLUG LOAD	
6	a	RO-02-02		
7	a	RO-02-03		
8	a	RO-02-04		
MODULE:	UI16		ADDRESS:	03
ZONE	CHANNEL	INPUT	DESCRIPTION	PART NUMBER
1	a	UI-03-01		
2	a	UI-03-02		
3	a	UI-03-03		
4	a	UI-03-04		
5	a	UI-03-05		
6	a	UI-03-06		
7	a	UI-03-07		
8	a	UI-03-08		
1	a	UI-03-09		
2	a	UI-03-10		
3	a	UI-03-11		
4	a	UI-03-12		
5	a	UI-03-13	Occupancy Sensor	BOS-515NSA
6	a	UI-03-14		
7	a	UI-03-15		
8	a	UI-03-16		



ENGINEERING STANDARDS
TZW - R10431C0-00200-00001

Typical Zone Wiring

REV: 1.02	TYPE: Wiring Typical	DATE: 06/28/2023	JOB #:
-----------	----------------------	------------------	--------

BLUE RIDGE TECHNOLOGIES™
UNIFIED LIGHTING CONTROL

ENGINEERED BY: WCD
DRAWN BY: EFM
CHECKED BY: ML
PAGE: 1 of 1