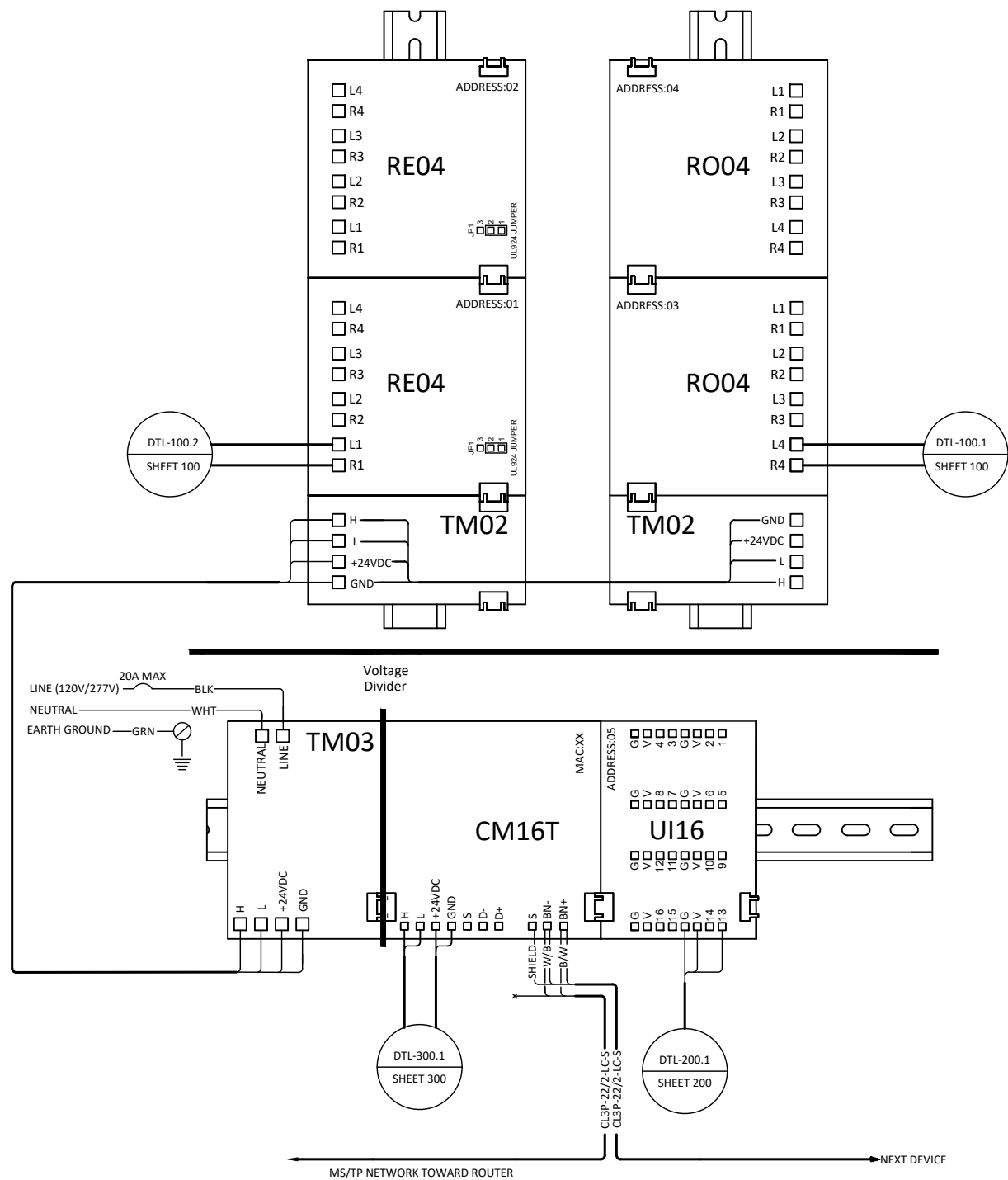


MODULE:	RE04	ADDRESS:	01
ZONE	CHANNEL	OUTPUT	DESCRIPTION
1	a	RE01.01	EMERGENCY
		RE01.02	
		RE01.03	
		RE01.04	
MODULE:	RE04	ADDRESS:	02
ZONE	CHANNEL	OUTPUT	DESCRIPTION
		RE02.01	
		RE02.02	
		RE02.03	
		RE02.04	
MODULE:	RO04	ADDRESS:	03
ZONE	CHANNEL	OUTPUT	DESCRIPTION
1	a	RO03.01	NORMAL
		RO03.02	
		RO03.03	
		RO03.04	
MODULE:	RO04	ADDRESS:	04
ZONE	CHANNEL	OUTPUT	DESCRIPTION
		RO04.01	
		RO04.02	
		RO04.03	
		RO04.04	
MODULE:	UI16	ADDRESS:	05
ZONE	CHANNEL	INPUT	DESCRIPTION
		UI05.01	
		UI05.02	
		UI05.03	
		UI05.04	
		UI05.05	
		UI05.06	
		UI05.07	
		UI05.08	
		UI05.09	
		UI05.10	
		UI05.11	
		UI05.12	
1	a	UI05.13	Occupancy Sensor
		UI05.14	BOS515NSA
		UI05.15	
		UI05.16	



ENGINEERING STANDARDS
TZW - R10431D0-00220-00001

Typical Zone Wiring

REV: 1.02	TYPE: Wiring Typical	DATE: 06/28/2023	JOB #:
			ENGINEERED BY: WCD
			DRAWN BY: EFM
			CHECKED BY: ML
			PAGE: 1 of 1