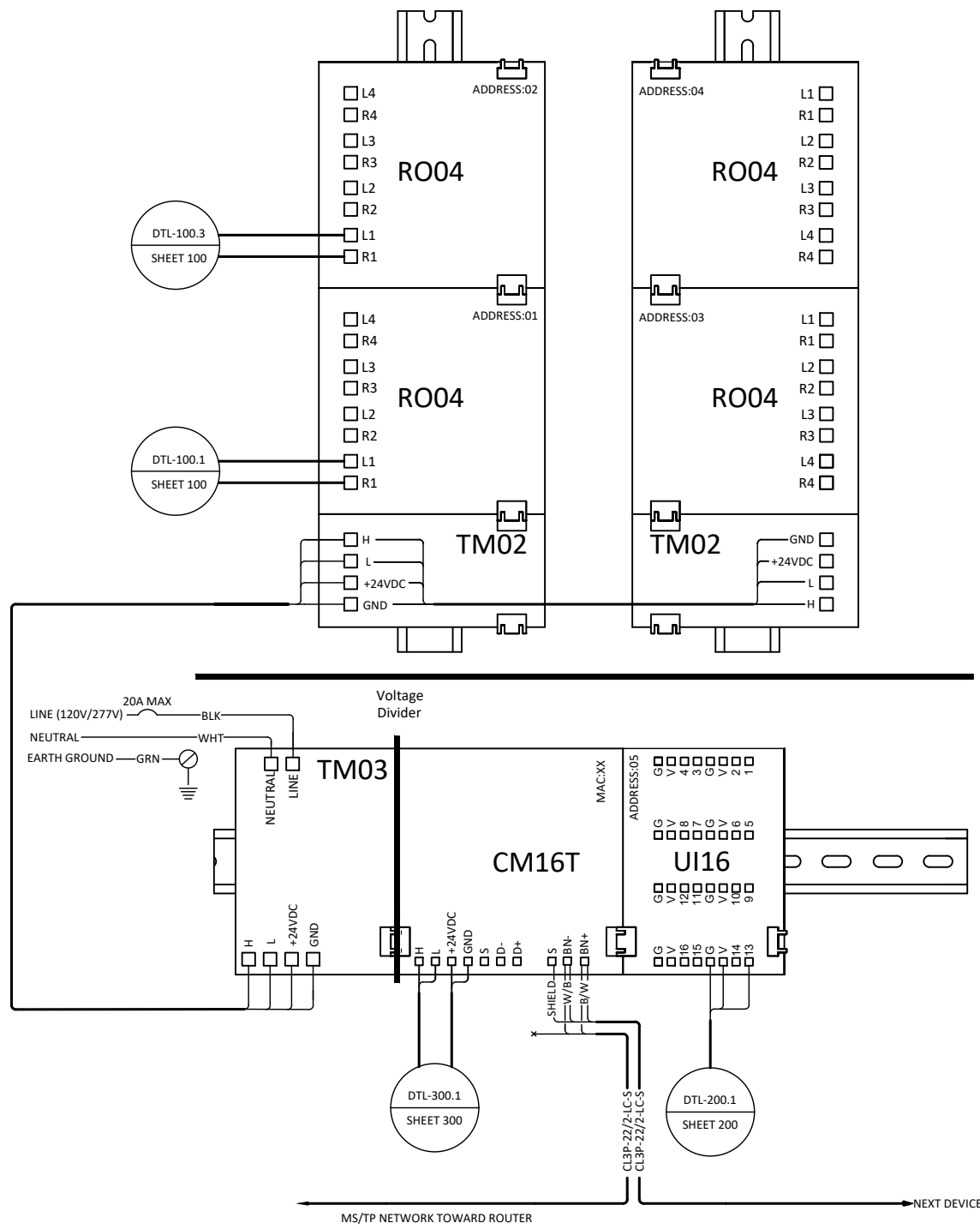


MODULE:	RO04		ADDRESS:	01
ZONE	CHANNEL	OUTPUT	DESCRIPTION	PANEL/CIRCUIT
1	a	RO-01-01	NORMAL	
2	a	RO-01-02		
3	a	RO-01-03		
4	a	RO-01-04		
MODULE:	RO04		ADDRESS:	02
ZONE	CHANNEL	OUTPUT	DESCRIPTION	PANEL/CIRCUIT
5	a	RO-02-01	PLUG LOAD	
6	a	RO-02-02		
7	a	RO-02-03		
8	a	RO-02-04		
MODULE:	RO04		ADDRESS:	03
ZONE	CHANNEL	OUTPUT	DESCRIPTION	PANEL/CIRCUIT
9	a	RO-03-01		
10	a	RO-03-02		
11	a	RO-03-03		
12	a	RO-03-04		
MODULE:	RO04		ADDRESS:	04
ZONE	CHANNEL	OUTPUT	DESCRIPTION	PANEL/CIRCUIT
13	a	RO-04-01		
14	a	RO-04-02		
15	a	RO-04-03		
16	a	RO-04-04		
MODULE:	UI16		ADDRESS:	05
ZONE	CHANNEL	INPUT	DESCRIPTION	PART NUMBER
1	a	UI-05-01		
2	a	UI-05-02		
3	a	UI-05-03		
4	a	UI-05-04		
5	a	UI-05-05		
6	a	UI-05-06		
7	a	UI-05-07		
8	a	UI-05-08		
9	a	UI-05-09		
10	a	UI-05-10		
11	a	UI-05-11		
12	a	UI-05-12		
13	a	UI-05-13	Occupancy Sensor	BOS-515NSA
14	a	UI-05-14		
15	a	UI-05-15		
16	a	UI-05-16		



ENGINEERING STANDARDS
TZW - R10431D0-00400-00001

Typical Zone Wiring

REV: 1.02	TYPE: Wiring Typical	DATE: 06/28/2023	JOB #:
<p>UNIFIED LIGHTING CONTROL</p>			ENGINEERED BY: WCD
			DRAWN BY: EFM
			CHECKED BY: ML
			PAGE: 1 of 1