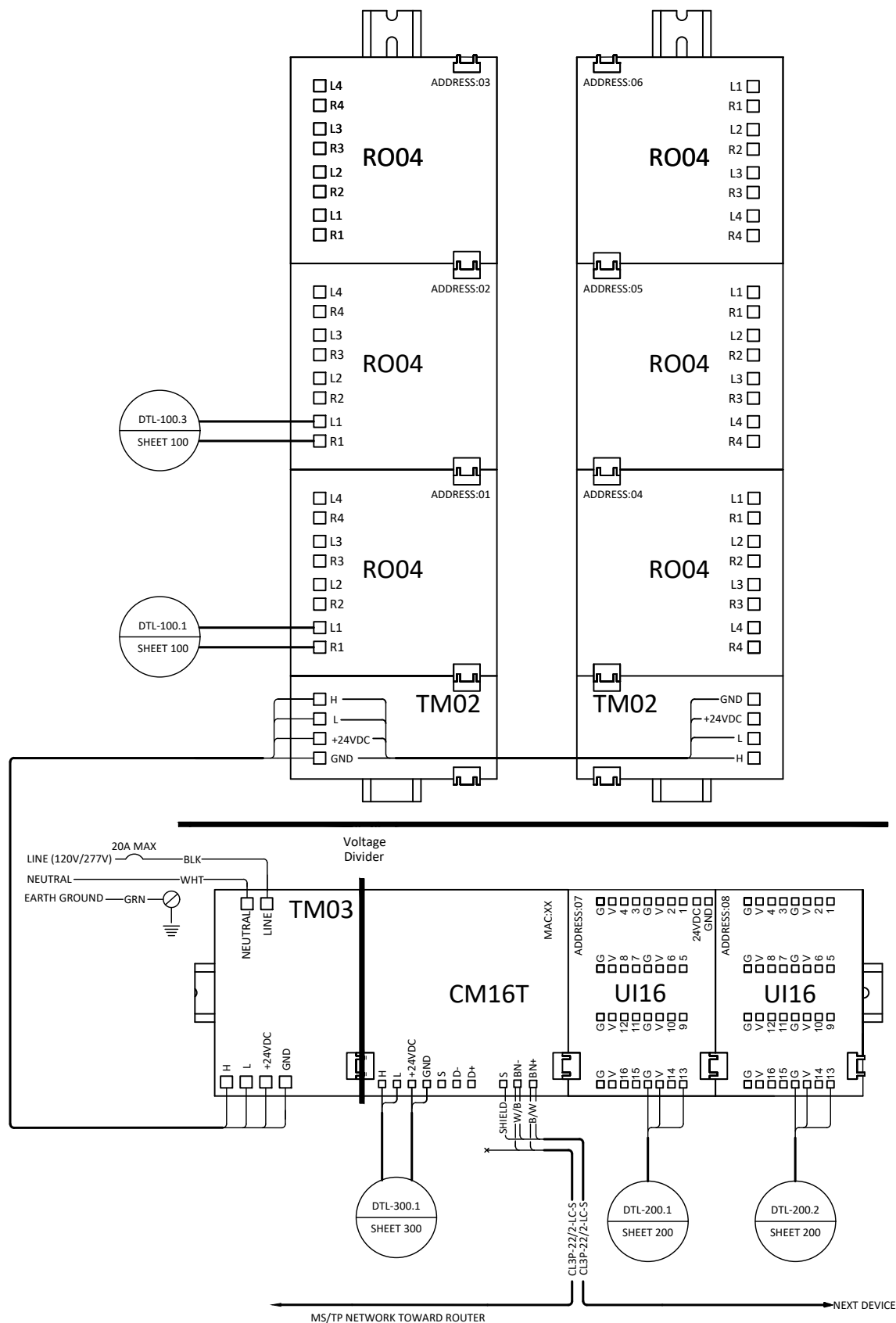


MODULE:	RO04	ADDRESS:	01	
ZONE	CHANNEL	OUTPUT	DESCRIPTION	PANEL/CIRCUIT
1	a	RO-01-01	NORMAL	
2	a	RO-01-02		
3	a	RO-01-03		
4	a	RO-01-04		
MODULE:	RO04	ADDRESS:	02	
ZONE	CHANNEL	OUTPUT	DESCRIPTION	PANEL/CIRCUIT
5	a	RO-02-01	PLUG LOAD	
6	a	RO-02-02		
7	a	RO-02-03		
8	a	RO-02-04		
MODULE:	RO04	ADDRESS:	03	
ZONE	CHANNEL	OUTPUT	DESCRIPTION	PANEL/CIRCUIT
9	a	RO-03-01		
10	a	RO-03-02		
11	a	RO-03-03		
12	a	RO-03-04		
MODULE:	RO04	ADDRESS:	04	
ZONE	CHANNEL	OUTPUT	DESCRIPTION	PANEL/CIRCUIT
13	a	RO-04-01		
14	a	RO-04-02		
15	a	RO-04-03		
16	a	RO-04-04		
MODULE:	RO04	ADDRESS:	05	
ZONE	CHANNEL	OUTPUT	DESCRIPTION	PANEL/CIRCUIT
17	a	RO-05-01		
18	a	RO-05-02		
19	a	RO-05-03		
20	a	RO-05-04		
MODULE:	RO04	ADDRESS:	06	
ZONE	CHANNEL	OUTPUT	DESCRIPTION	PANEL/CIRCUIT
21	a	RO-06-01		
22	a	RO-06-02		
23	a	RO-06-03		
24	a	RO-06-04		
MODULE:	UI16	ADDRESS:	07	
ZONE	CHANNEL	INPUT	DESCRIPTION	PART NUMBER
1	a	UI-07-01		
2	a	UI-07-02		
3	a	UI-07-03		
4	a	UI-07-04		
5	a	UI-07-05		
6	a	UI-07-06		
7	a	UI-07-07		
8	a	UI-07-08		
9	a	UI-07-09		
10	a	UI-07-10		
11	a	UI-07-11		
12	a	UI-07-12		
13	a	UI-07-13	Occupancy Sensor	BOS-515NSA
14	a	UI-07-14		
15	a	UI-07-15		
16	a	UI-07-16		
MODULE:	UI16	ADDRESS:	08	
ZONE	CHANNEL	INPUT	DESCRIPTION	PART NUMBER
17	a	UI-08-01		
18	a	UI-08-02		
19	a	UI-08-03		
20	a	UI-08-04		
21	a	UI-08-05		
22	a	UI-08-06		
23	a	UI-08-07		
24	a	UI-08-08		
1	a	UI-08-09		
2	a	UI-08-10		
3	a	UI-08-11		
4	a	UI-08-12		
5	a	UI-08-13	Light Sensor	BPD-500SS
6	a	UI-08-14		
7	a	UI-08-15		
8	a	UI-08-16		



ENGINEERING STANDARDS
TZW - RI0531E0-00600-00002

Typical Zone Wiring

REV: 1.02	TYPE: Wiring Typical	DATE: 06/28/2023	JOB #:
			ENGINEERED BY: WCD
			DRAWN BY: EFM
			CHECKED BY: ML
			PAGE: 1 of 1